

**Panasonic 103" Plasma**  
TH-103PF12E



**General Specification**

Screen Size	103"
Model Reference	TH-103PF12E
Aspect Ratio	16 : 9
Contrast Ratio	40000 : 1
Brightness	1000 cd/m <sup>2</sup>
Resolution	1920 x 1080
Active Viewing Area	2269 x 1276mm

**Usage**

Power Supply	220 - 240 V AC, 50Hz/60Hz
Power Consumption	1450W, 13amp

**Physical Specification**

Width	2414mm
Height	1419mm
Depth	129mm
Weight	201kg

**Input and Controls**

Standard Inputs	BNC/S-Video/Composite, RGBHV, DVI, VGA
Optional Inputs	HD-SDI, Component, HDMI

**Operation**

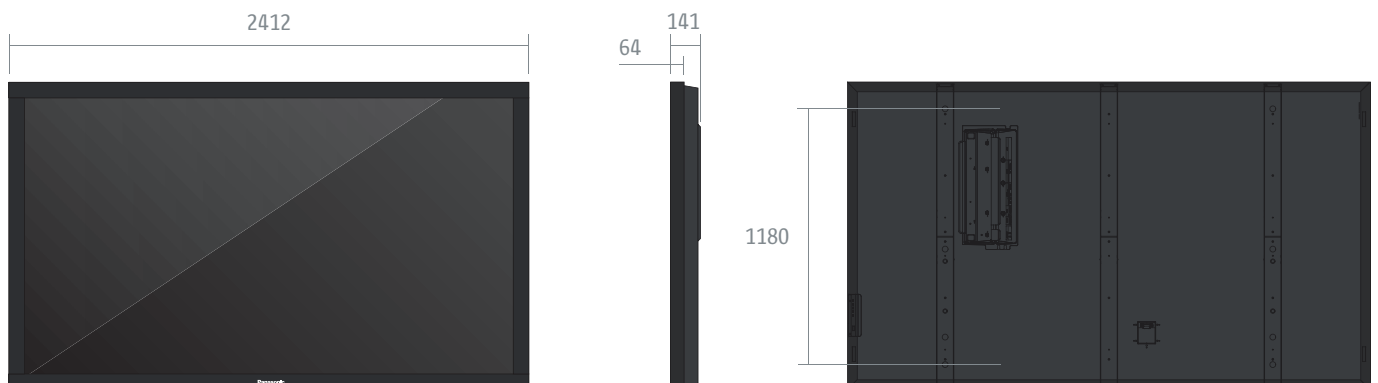
Temperature	0 - 40°C
Humidity	20 - 80%

**Standard Rental Package**

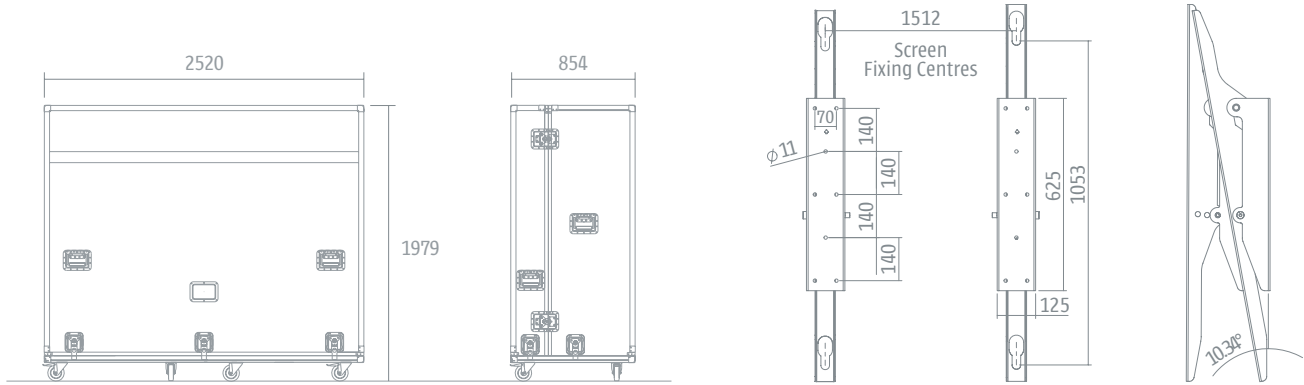
Cables	IEC(>10A) / IEC / DVI-D / VGA / BNC ✓
Remote	Included ✓
Flightcase	2520 x 1979 x 854mm ✓
Screenlifter	1760 x 1420 x 805mm ✓

Perfect for awards presentations, relay screens and as a fantastic statement technology for an exhibition stand, the 103" offers a stunning picture quality and viewing experience, with Full HD 1080p resolution and perfect image reproduction.

In addition to the fixed input interface, the Panasonic plasma display has three interchangeable slots that let you add different combinations of optional terminal boards, thus offering additional flexibility to both digital and analogue capabilities to customise the system to your specific event's needs.

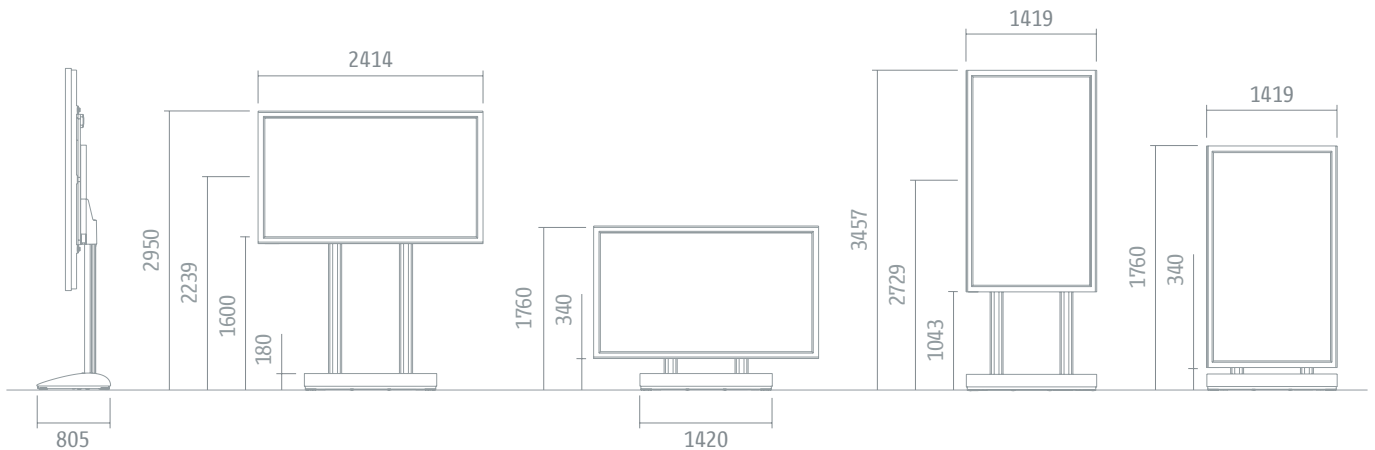


**Panasonic 103" Plasma**  
TH-103PF12E



Flightcase	
Width	1760mm
Height	1420mm
Depth	854mm
Total Weight ( Screen / Screenlifter / Flightcase )	1086kg

Wall Bracket	
Width	125mm
Height	1053mm
Depth	198mm
Weight	



Screenlifter	
Width	1420mm
Height	1760mm
Depth	805mm
Max Height Lower Edge Of Displayed Image	( Landscape ) 1600mm
	( Portrait ) 1043mm
Max Height Of System	( Landscape ) 2950mm
	( Portrait ) 3457mm
Rotation Angle of Screen	90°
Weight ( Screen / Screenlifter )	417.5kg