

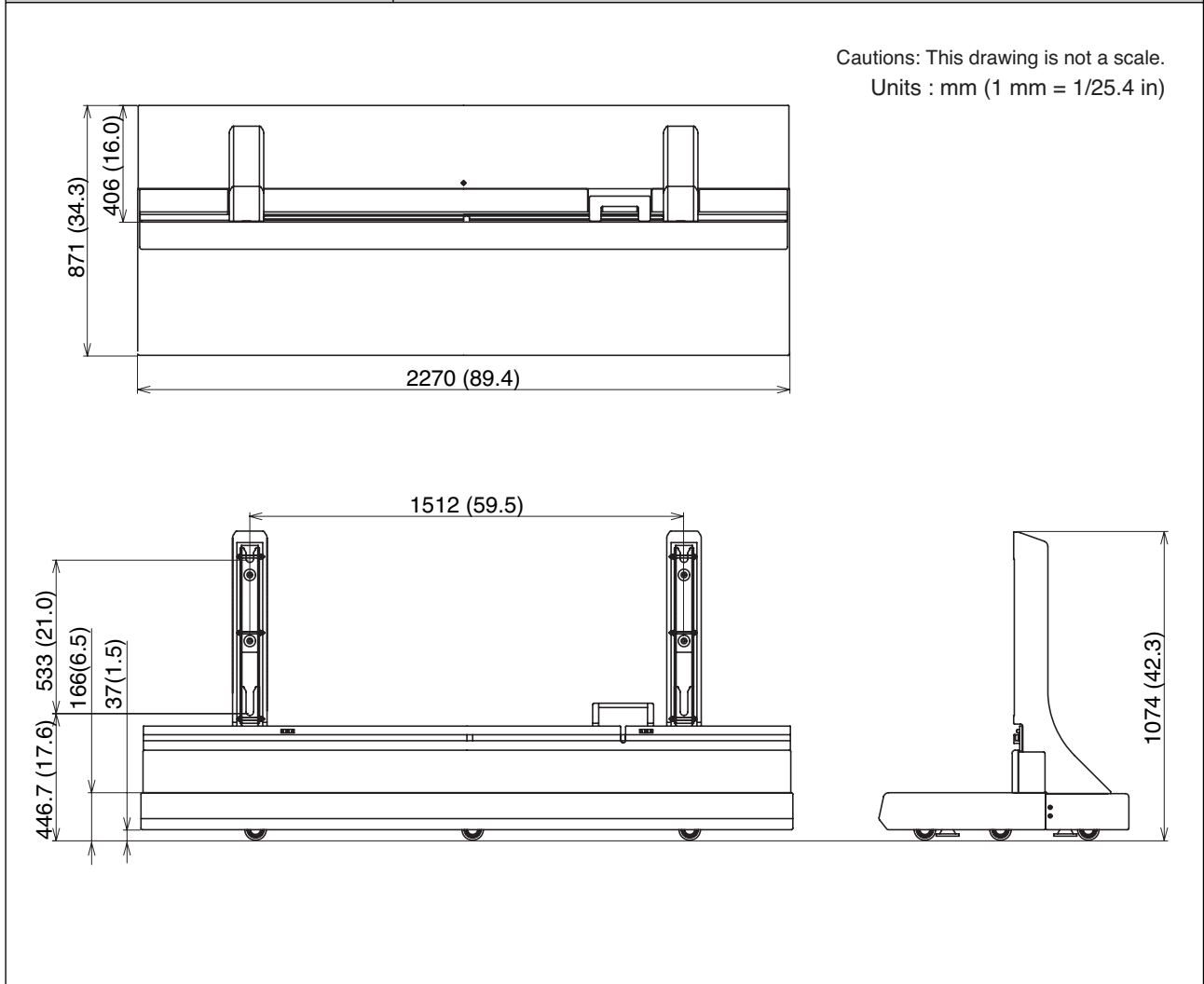
■ Product summary

- This product is the exclusive pedestal to for 103 inch plasma display.

■ Product specification (design and specification subject to change without notice)

Dimensions (W x H x D)	2270 x 1074 x 871 (89.4" x 42.3" x 34.3")
Weight	approx. 122 kg (269 lbs.)
Dimensions	

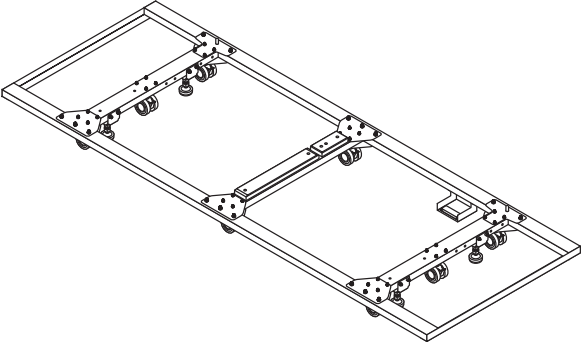
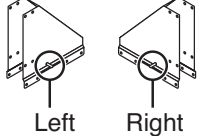
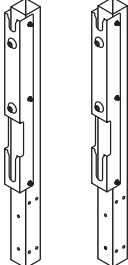
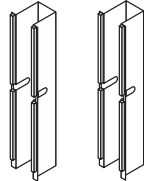
Cautions: This drawing is not a scale.
Units : mm (1 mm = 1/25.4 in)







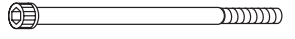
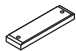
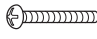
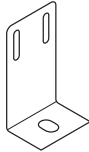
Frame part

Check that all the parts are accounted for and present in their designated quantities.

Main parts

<p>Ⓐ Metal frame 1 pc</p> 	<p>Ⓑ Support brackets (left and right) 1 pc each (The positions of the pins show which is the left bracket and which the right one.)</p>  <p>Left Right</p>
<p>Ⓒ Supports 2 pcs (The left and right supports are identical.)</p> 	<p>Ⓓ Grounding plates 2 pcs (The left and right grounding plates are identical.)</p> 

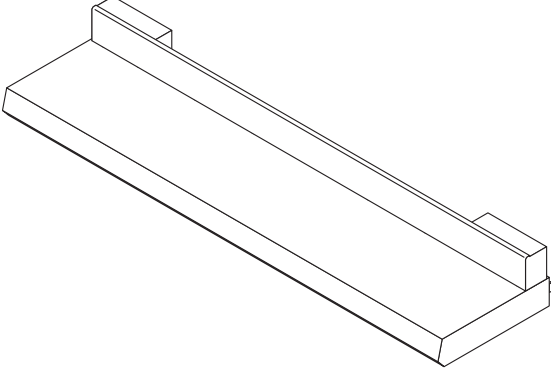
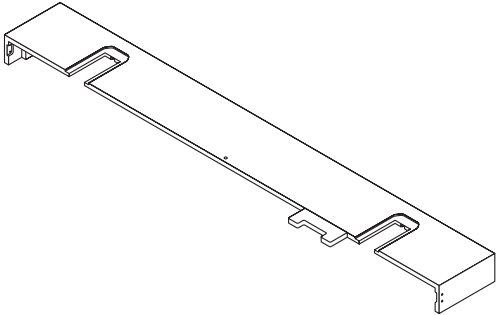
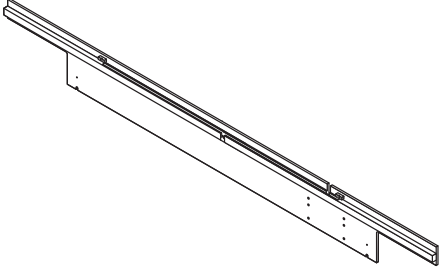
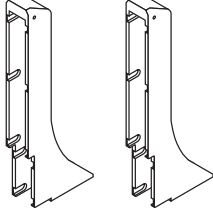
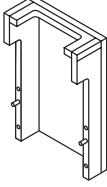
Accessory parts

<p>For adjusting the display's perpendicularity</p> <p>Ⓐ Triangle 1 pc</p> 	<p>Assembly tool</p> <p>Ⓑ Allen key (6 mm) 1 pc</p> 	<p>Ⓒ Support bracket mounting hexagon bolts Spring washers Flat washers Flanged cap nuts } (8 sets each)</p>  (Black) (M8 x 90)
<p>Ⓓ Support mounting hexagon bolts Spring washers Flat washers Flanged cap nuts } (8 sets each)</p>  (Black) (M8 x 80)	<p>Ⓔ Display mounting hexagon bolts Spring washers Flat washers } (4 sets each)</p>  (Black) (M8 x 130)	
<p>Ⓕ Boards (wooden) 2 pcs (The left and right boards are identical.)</p>  (Black)	<p>Ⓖ Board mounting screws 4 pcs</p>  (Black) (M5 x 25)	<p>Ⓖ Anchor brackets 4 pcs (The front, back, left and right anchor brackets are identical.)</p> 




Cover part

Check that all the parts are accounted for and present in their designated quantities.

Main parts

<p>A Front cover 1pc</p> 	<p>B Rear cover 1pc</p> 	
<p>C Light shield 1pc</p> 	<p>D Support covers 2 pcs (The left and right support covers are identical.)</p> 	<p>E Wiring cord cover 1pc</p> 

Accessory parts

<p>1 Light shield mounting screws 2 pcs Rear cover mounting screw 1 pc Support cover mounting screws 4 pcs</p>  (Black) (M5 x 35)	<p>2 Wiring cord cover mounting screws 4 pcs</p>  (Black) (M5 x 55)	<p>3 Front/rear cover mounting screws 4 pcs</p>  (Black) (M5 x 14)
--	--	---