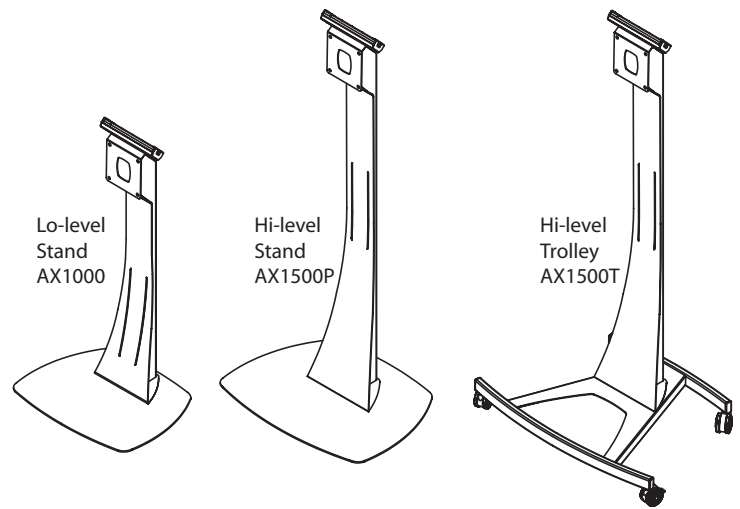


# Axia<sup>®</sup> *the new artform in plasma stand design*

## ASSEMBLY INSTRUCTIONS

There are 3 versions of Axia:  
Lo-Level stand, Hi-level stand & Hi-level trolley.  
All units comprise of a base, mast section, 4-way electrical socket and optional equipment of up to 3 glass shelves.



### Lo-level and Hi-level stands

1. Attach mast section **(A)** to the base **(B)** using 4 M10x25 Skt button head screws provided.
2. Attach 4-way electrical socket **(C)** to top of mast section using the 2 M6x12 Skt button head screws provided.

### Hi-level trolley

1. Push fit the 4 x Castors into the locating holes in the underside of the trolley base.
2. Attach mast section to the base using 4 M10x25 Skt button head screws provided.
3. Attach 4-way electrical socket to top of mast section using the 2 M6x12 Skt button head screws provided.

### Fixing Screen to Mast

Refer to the Plasma Mount instructions enclosed for your particular Plasma Screen.

1. Fix the Back plate of the Plasma Mount (PLW) to the top front face of the mast unit using the 4 M10x20 Skt button head screws provided.

### Optional Glass shelves

There are 3 standard height positions and one intermediate.

1. Fit 2 of the 4 M6x12 Skt cap head screws into the bottom pair of fixing holes on either side of the mast at the desired height.
2. Carefully insert the shelf support mount through the slots in the front face of the mast so that the bottom half round holes locate on the 2 screws.
3. Fit the remaining 2 cap head screws through the shelf support into the top pair of fixing holes on either side of the mast. Tighten all screws.

### Cable Management

There are cut-outs in the rear of the mast to enable cables to be routed within the mast section.

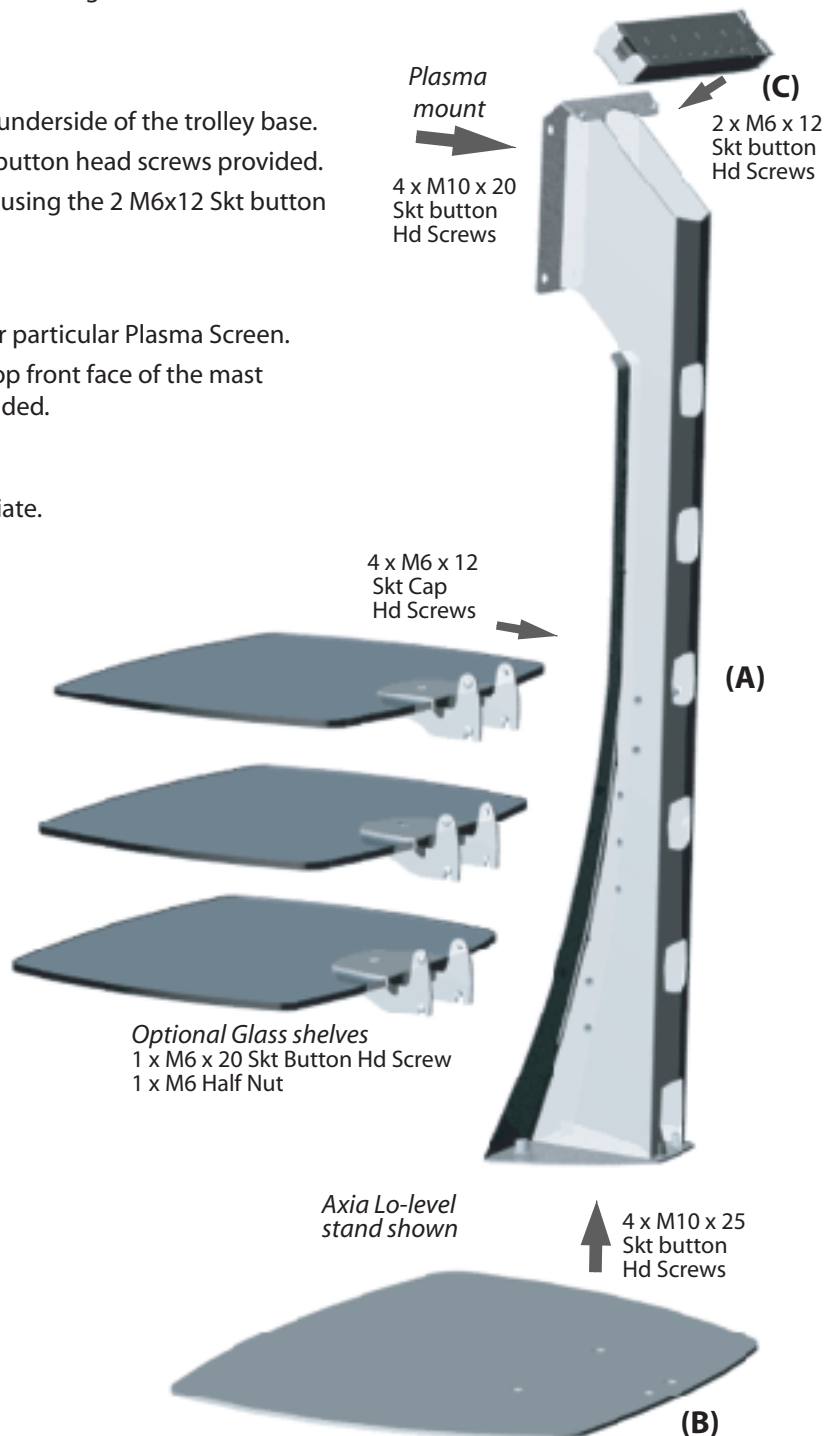
### Fixings:

4 x M10 x 25 Socket Button Head Screws  
2 x M6 x 12 Socket Button Head Screws  
4 x M10 x 20 Socket Button Head Screws  
4 x M6 x 12 Socket Cap Head Screws  
1 x 4mm Allen Key  
1 x 6mm Allen Key  
Shelf - 1 x M6 x 20 Socket Button Head Screw  
Unit 1 x M6 Half Nut

Plasma mount

4 x M10 x 20 Skt button Hd Screws

**(C)**  
2 x M6 x 12 Skt button Hd Screws



If you have any problems assembling this unit please call 01865 767676

Green Road, Oxford, OX3 8EU email: sales@unicol.com www.unicol.com