

M-Touch<sup>™</sup>



SmartTrack<sup>™</sup>



M-Connect<sup>™</sup>



iSurfaceSuite 1.0<sup>™</sup>  
SOFTWARE SUITE



**M-Touch™**

1. Unique M-Touch™ high resolution glass surface optimised for maximum durability, high resolution image and ultra precise tracking capabilities.

2. Spill & waterproof top surface

3. Expandable with unlimited units

4. Integrated all-in-one package with built-in high-performance cooling system



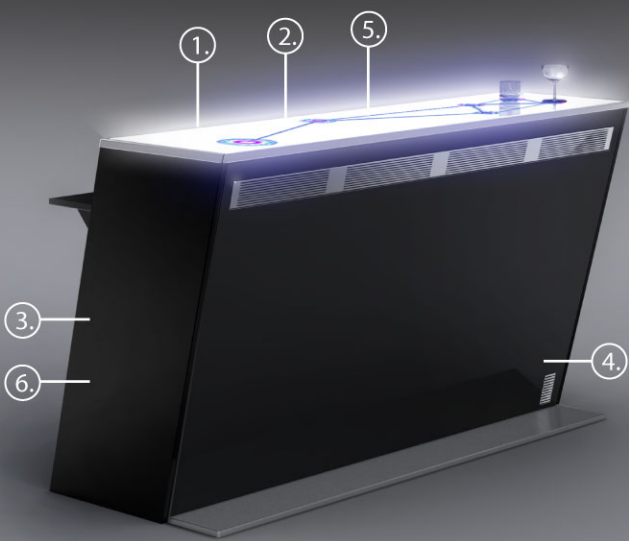
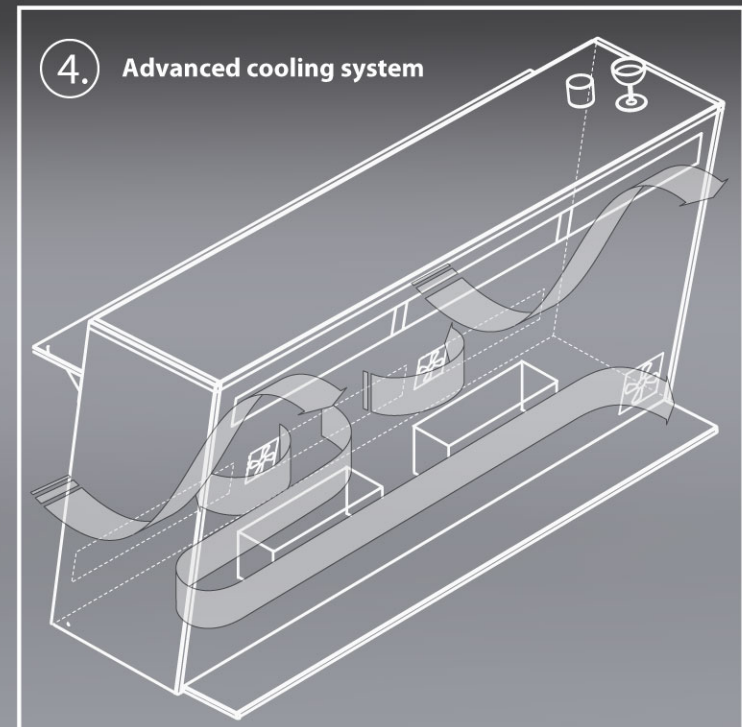
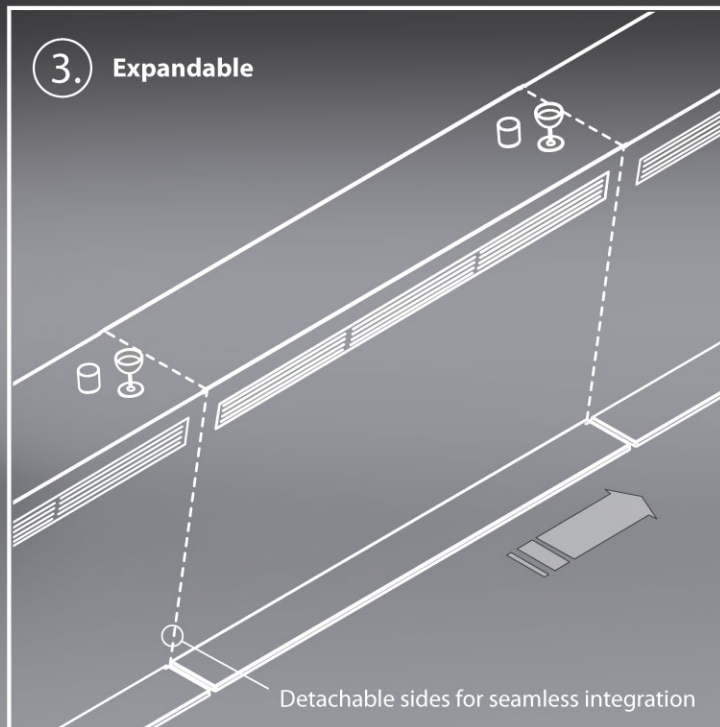
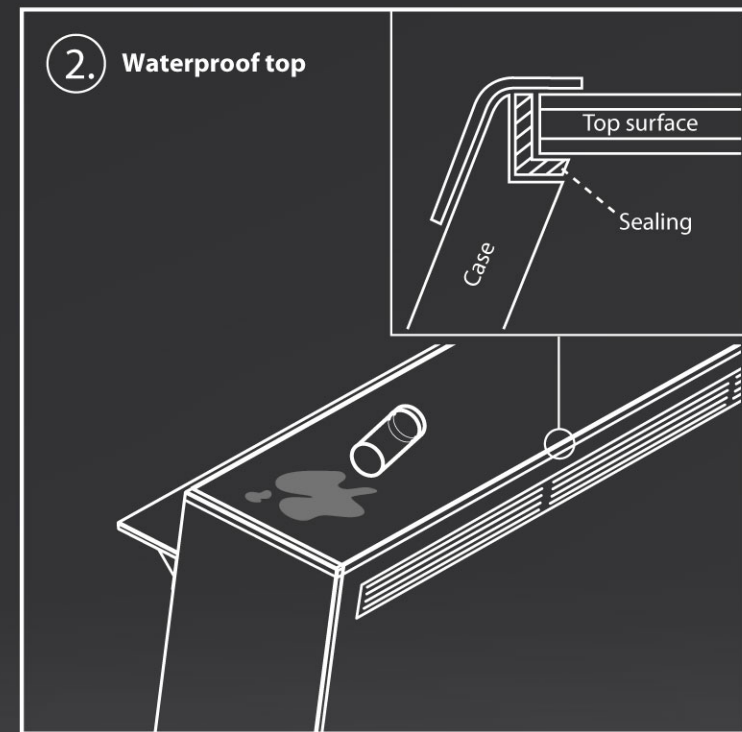
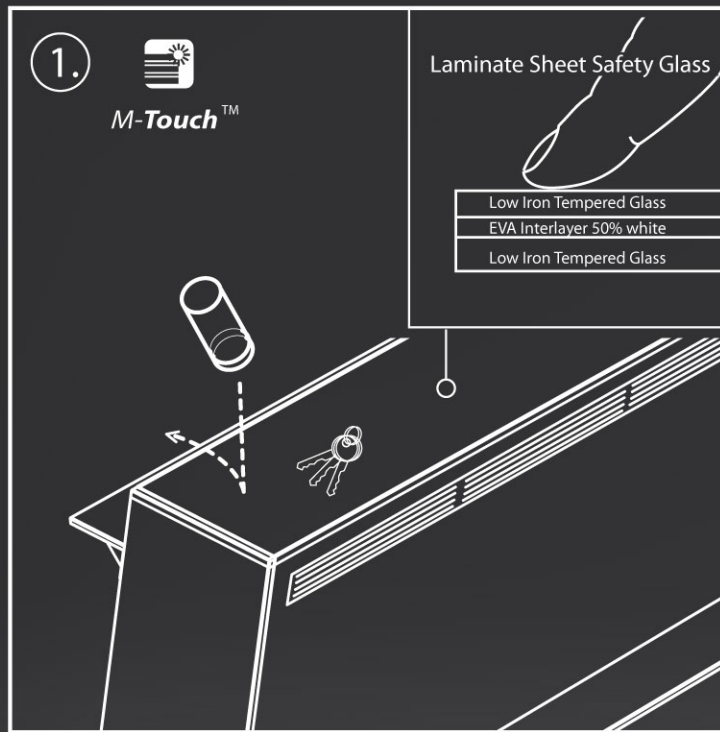
**SmartTrack™**

5. Ultra precise SmartTrack™ system combines advanced compact camera technology with state-of-the-art software algorithms for tracking and identifying hands, fingers and objects in Real-Time.



**M-Connect™**

6. Connect 3<sup>rd</sup> party devices to the interactive surface via Wi-Fi, Bluetooth and USB.

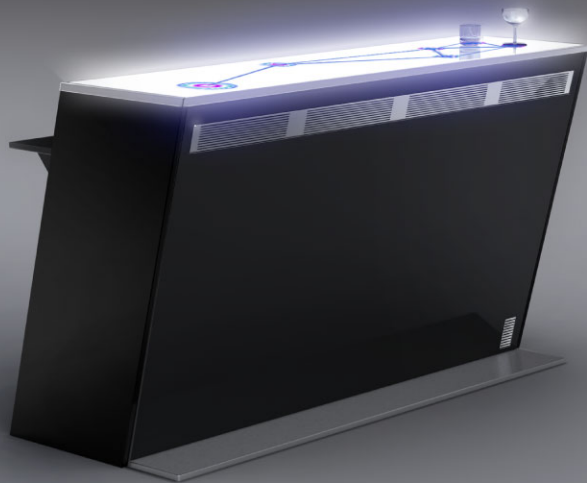


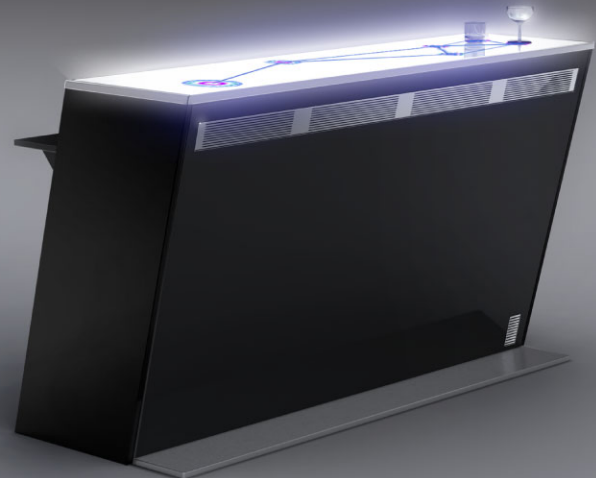


## Technical Specifications

# THE i-BAR®

Dimensions (packed on pallet)	210 x 93 x 138cm (LxWxH)
Dimensions (unpacked)	200 x 83 x 120cm (LxWxH)
Weight (packed on pallet)	290 kg
Weight (unpacked)	200 kg
Ambient temperature for operation	5 - 25°C (max. 30°C in extreme cases)
Power consumption	220V / 1300W / 6Amp
Power connection	CE 16Amp CEEform plug on 2 meter lead
Screen size	200 x 50cm
Screen Resolution	2048 x 512px
Aspect Ratio	4:1
Brightness	2 x 2000 Lumens
Colour Depth	32bit
Tracking	Camera based (2x BW camera)
Operational System	Windows XP Pro (SP2)
Additional Software	<i>iSurfaceSuite1.0</i> (tracking and real-time DirectX rendering)
Effects / Applications	customized
Setup time	3 hours (done by Mindstorm technician)
Accessories	1x Wireless keyboard with trackpad 1x Remote control for projectors 1x Adapter cable from CEEform to standard plug
Packaging	Pelicans 1660 (holding tech. equipment for transport) Transportation pallet (210 x 95cm) & Cover





# THE i-BAR<sup>®</sup>



**M-Touch**<sup>™</sup>



**SmartTrack**<sup>™</sup>



**M-Connect**<sup>™</sup>



**iSurfaceSuite 1.0**<sup>™</sup>  
SOFTWARE SUITE

## Mindstorm Head Office

5 Parma House  
Clarendon Road  
London N22 6UL  
United Kingdom

Tel: +44 20 8826 4600

Fax: +44 20 8888 2520

[www.mindstorm.com](http://www.mindstorm.com)

[info@mindstorm.com](mailto:info@mindstorm.com)

