

Panasonic 50" Plasma

TH-50PF30E



General Specification

Screen size	50"
Model Reference	TH-50PF30E
Aspect Ratio	16 : 9
Contrast Ratio	5,000,000 : 1
Brightness	1400cd/m ²
Resolution	1920 x 1080
Active Viewing Area	1105 x 622

Usage

Power Supply	220 - 240 V AC, 50Hz/60Hz
Power Consumption	445W

Physical Specification

Width	1210mm
Height	724mm
Depth	89mm
Weight	33kg

Input and Controls

Standard Inputs	BNC/S-Video/Composite, Component, DVI VGA, PC, DVI-D, HDMI, Ethernet
Optional Inputs	NA

Operation

Temperature	0 - 40°C
Humidity	20 - 80%

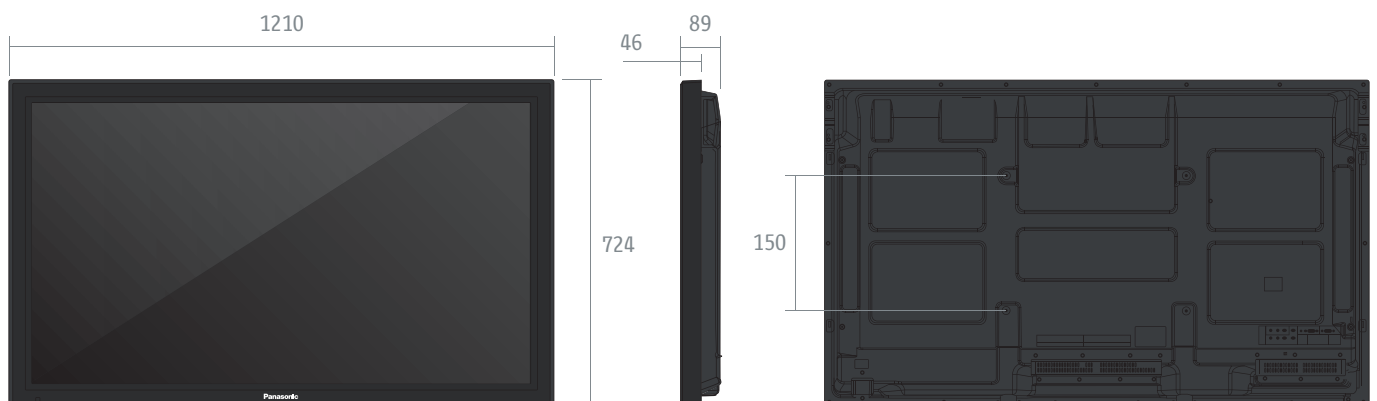
Standard Rental Package

Cables	IEC / HDMI / DVI-D / BNC / VGA ✓
Remote	Included ✓
Flightcase	1340 x 950 x 400mm ✓

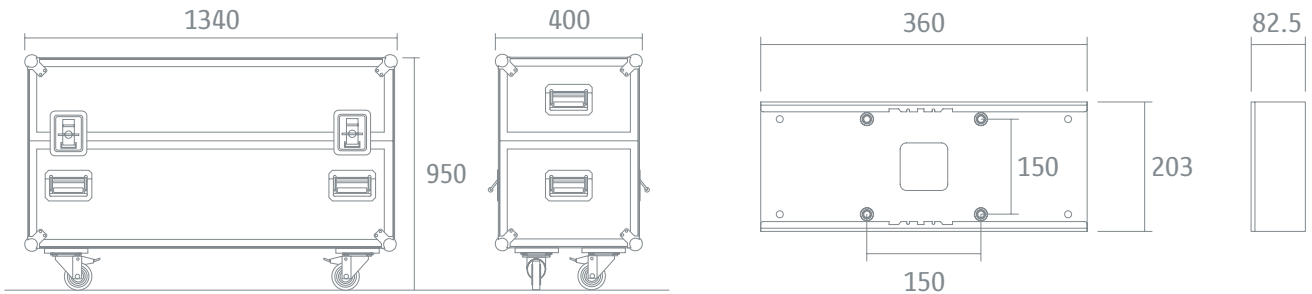
Optional

Audio	Speakers
IR Emitter	
3D Glasses	

The 50" Panasonic range brings you great efficiency, between 1000:1 and 5,000,000: 1 contrast ratio, high levels of colour graduation and contrast for crisp and clear colours. Each model features an ultra-light weight, energy efficient design. It also features a multi-function input system that allows use in virtually any AV, PC or interactive environment with tailored inputs. This model is 3D capable when rented with the optional IR emitter.



Panasonic 50" Plasma
TH-50PF30E

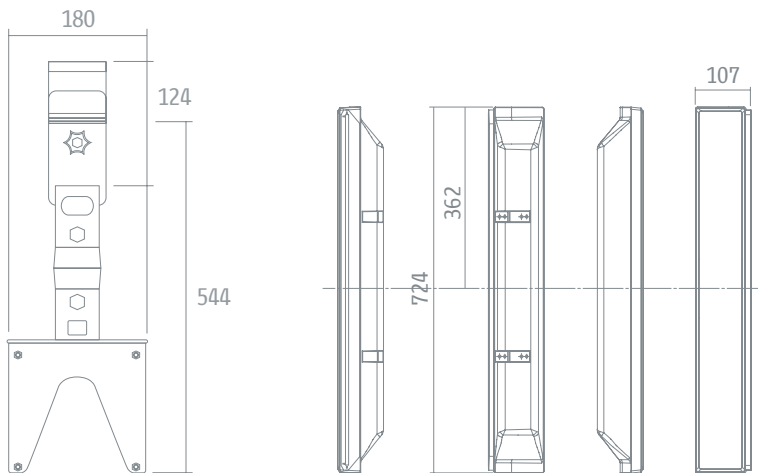


Flightcase

Width	1340mm
Height	950mm
Depth	400mm
Total Weight (Screen + Flightcase)	114kg

Wall Bracket

Width	360mm
Height	203mm
Depth	82.5mm
Weight	2kg



Hanging Basket

Width	180mm
Height	Variable
Depth	99mm
Weight	4kg

Speakers

Width	107mm
Height	724mm
Depth	88mm
Weight	2kg

3D Glasses

Type	Active Shutter
Dimensions	179 x 40 x 183mm
Battery Life	15 hours
Charge time	3 hours
Contrast	1000 : 1

NB. Figures quoted for short pole, longer poles available on request