

Panasonic 50" Plasma
TH-50PF20E



General Specification

Screen size	50"
Model Reference	TH-50PF20E
Aspect Ratio	16 : 9
Contrast Ratio	2,000,000 : 1
Brightness	1400cd/m ²
Resolution	1920 x 1080
Active Viewing Area	1105 x 622

Usage

Power Supply	220 - 240 V AC, 50Hz/60Hz
Power Consumption	350W

Physical Specification

Width	1210mm
Height	724mm
Depth	89mm
Weight	33kg

Input and Controls

Standard Inputs	BNC/S-Video/Composite, Component, DVI VGA, PC, DVI-D, HDMI, Ethernet
Optional Inputs	NA

Operation

Temperature	0 - 40°C
Humidity	20 - 80%

Standard Rental Package

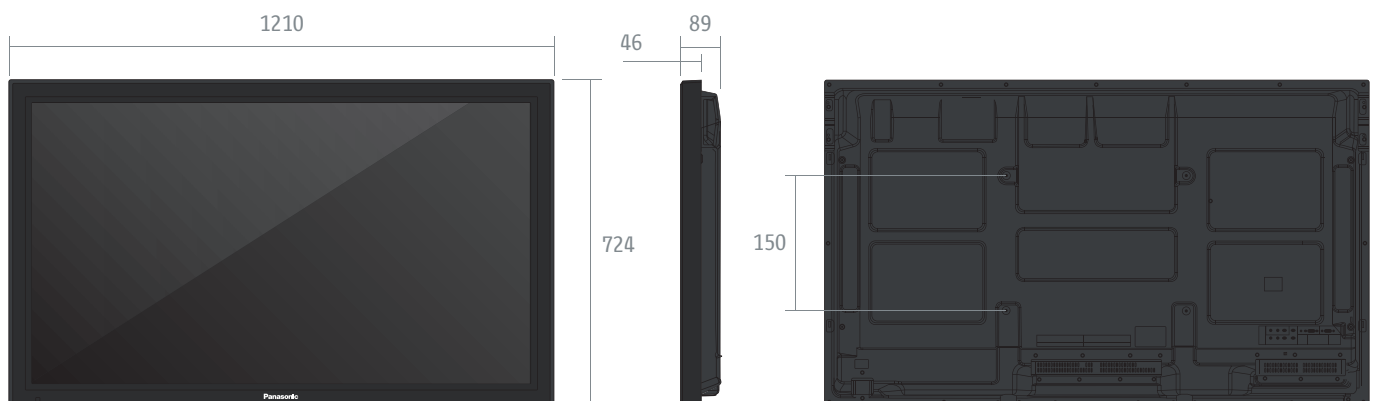
Cables	IEC / HDMI / DVI-D / BNC / VGA ✓
Remote	Included ✓
Flightcase	1340 x 950 x 400mm ✓

Optional

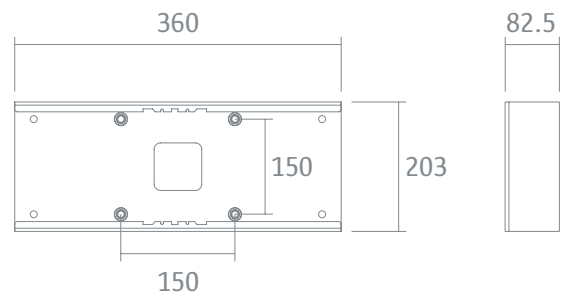
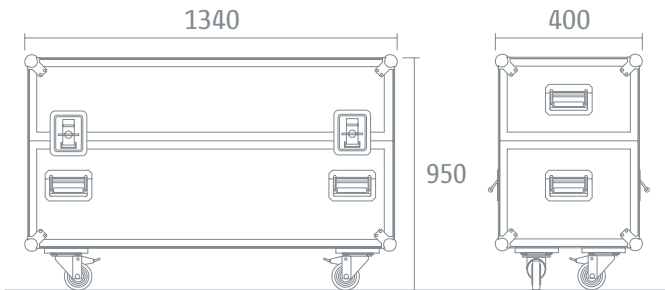
Audio	Speakers
-------	----------

The 50" Panasonic range brings you great efficiency, between 1000:1 and 5,000,000: 1 contrast ratio, high levels of colour graduation and contrast for crisp and clear colours. Each model features an ultra-light weight, energy efficient design. It also features a multi-function input system that allows use in virtually any AV, PC or interactive environment with tailored inputs.

The 20 series range have been specially designed for rental applications with an impact resistant front glass panel.

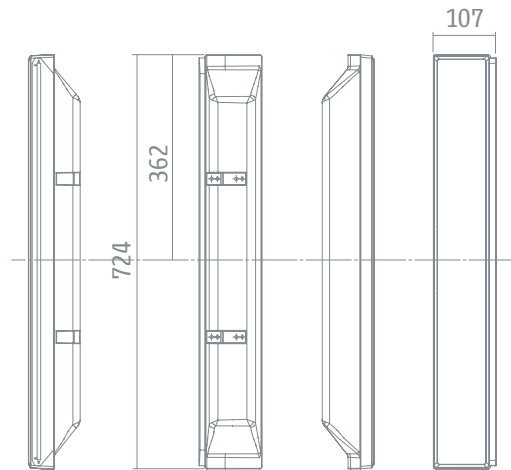
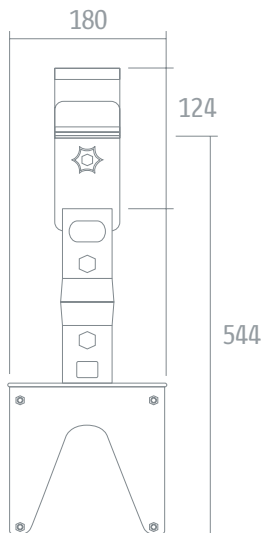


Panasonic 50" Plasma
TH-50PF20E



Flightcase	
Width	1340mm
Height	950mm
Depth	400mm
Total Weight (Screen + Flightcase)	114kg

Wall Bracket	
Width	360mm
Height	203mm
Depth	82.5mm
Weight	2kg



Hanging Basket	
Width	180mm
Height	Variable
Depth	99mm
Weight	4kg

Speakers	
Width	107mm
Height	724mm
Depth	88mm
Weight	2kg

NB. Figures quoted for short pole, longer poles available on request