

Panasonic 65" Plasma
TH-65PF20E



General Specification

Screen size	65"
Model Reference	TH-65PF20E
Aspect Ratio	16 : 9
Contrast Ratio	5,000,000 : 1
Brightness	1400 cd/m ²
Resolution	1920 x 1080
Active Viewing Area	1434 x 806

Usage

Power Supply	220 - 240 V AC, 50Hz/60Hz
Power Consumption	660W

Physical Specification

Width	1554mm
Height	925mm
Depth	99mm
Weight	55kg

Input and Controls

Standard Inputs	BNC/S-Video/Composite, Component, VGA, PC DVI-D, HDMI, Ethernet
Optional Inputs	NA

Operation

Temperature	0 - 40°C
Humidity	20 - 80%

Standard Rental Package

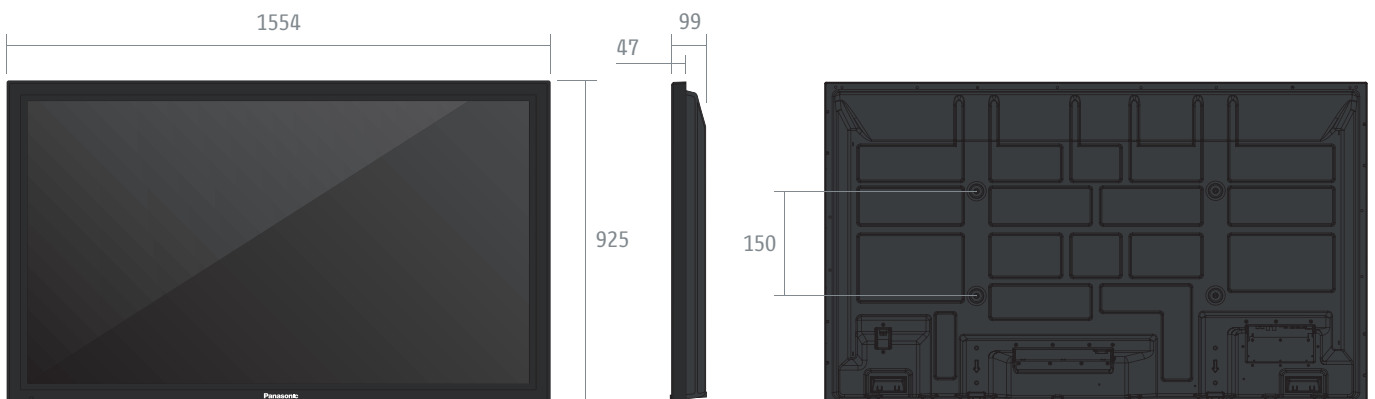
Cables	IEC / HDMI / DVI-D / BNC / VGA ✓
Remote	Included ✓
Flightcase	1640 x 1270 x 400mm ✓

Optional

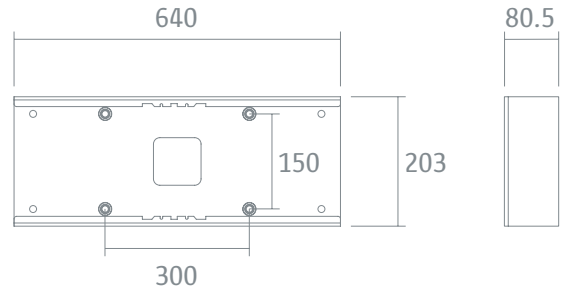
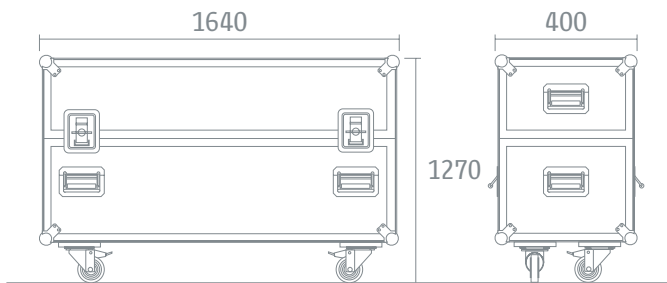
Audio	Speakers
-------	----------

The 65" Panasonic Plasma boasts Full HD 1920 x 1080p resolution, producing stunning, high resolution images for events and exhibitions looking for a large scale plasma display. The 65" Panasonic hosts a stunning 3000:1 contrast ratio and better vertical resolution.

The front protective glass of the plasma display panel incorporates a "Deep Black Filter" that suppresses light transmittance ensuring the highest level of contrast when viewed in bright event conditions.



Panasonic 65" Plasma
TH-65PF20E

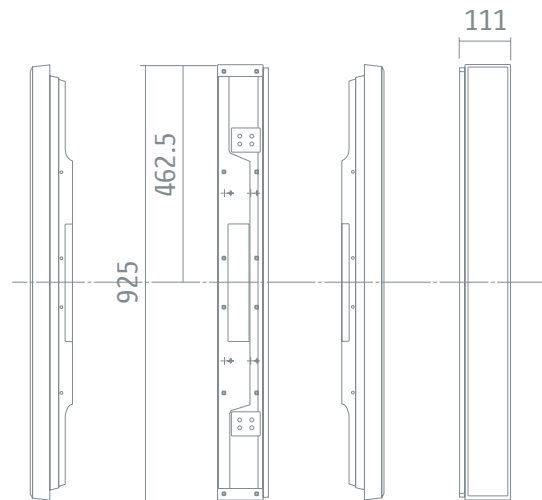
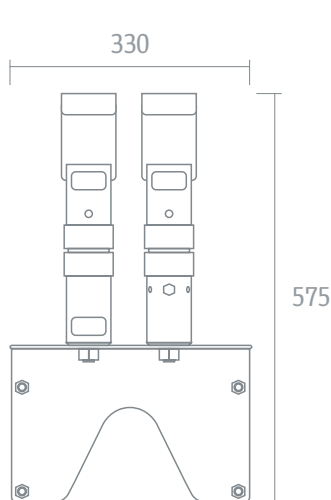


Flightcase

Width	1640mm
Height	1270mm
Depth	400mm
Total Weight (Screen + Flightcase)	206kg

Wall Bracket

Width	640mm
Height	203mm
Depth	80.5mm
Weight	4.5kg



Hanging Bracket

Width	330mm
Height	575mm
Depth	
Weight	8kg

Speakers

Width	111mm
Height	925mm
Depth	90mm
Weight	2.2kg

NB.Figures quoted for short pole, longer poles available on request