

# SAMSUNG 82" LCD SM820DXn



SAMSUNG 82" LCD MOUNTED ON MOTORISED SCREENLIFTER



SCREENLIFTER UNIT FOR SAMSUNG 82" LCD

DISPLAY	
Screen Size	82"
Resolution	1920 x 1080
Aspect Ratio	16 : 9
Brightness	600cd/m <sup>2</sup>
Contrast Ratio	2000 : 1 (DC 5000:1)
Response Time	8ms
Viewing Angle (Horizontal/Vertical)	178° / 178°
Colour Supported	16.7Mil.

SIGNAL INPUT	
PC	VGA, DVI-D, BNC
Video	CVBS, S-Video, Component, HDMI
Network	Samsung MagicInfo

POWER	
Power Consumption	1KW
Standby Power (DPMS)	<1 watt (Energy Saving On)

FEATURES	
Multimedia Speakers	Built-in Speaker ( 15 watts x 2 )
Special Features	Anti-image retention, Video Wall, Safety Lock, PIP/PBP, RS-232C, Wired Remote IN/OUT
Mac Compatibility	Yes
Wall Mount	N/A
Cabinet Colour	Black
Accessories	Quick Setup Guide, Warranty Card, User's Guide, D-Sub Cable, Power Cord, Remote Control, Batteries, BNC to RCA Adaptor

DIMENSIONS	
Product Dimension ( with Stand, WxHxD )	1915 x 1230 x 500mm
Product Dimension ( without Stand, WxHxD )	1915 x 1126 x 143mm
Shipment Dimension (in Delivery Crate WxHxD)	2095 x 1488 x 618mm

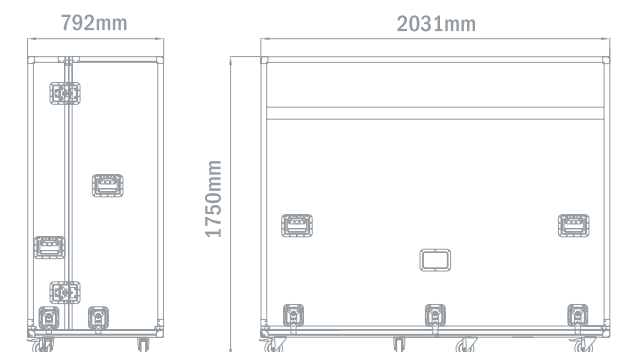
WEIGHT	
Product Weight	119kg
Shipment Weight	154kg

STAND	
Standard	Screenlifter
Optional	N/A



# SAMSUNG 82" LCD SM820DXn WITH SCREENLIFTER

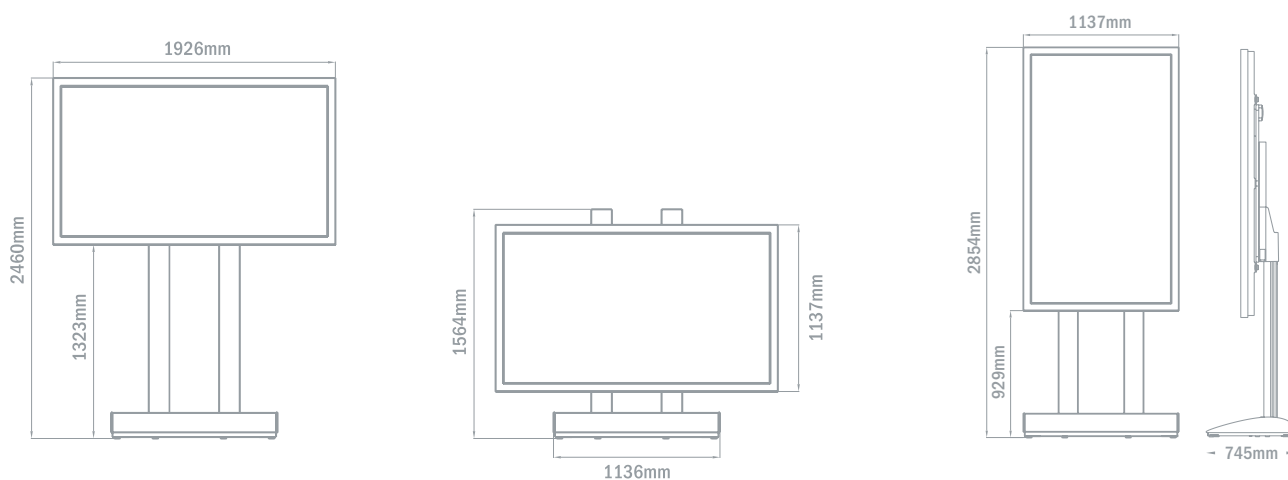
## SCREENLIFTER FLIGHTCASE



### SCREENLIFTER FLIGHTCASE

Flight Case Dimensions	2031 x 792 x 1750 mm
Flight Case Weight	approx. 180 kg

## SCREENLIFTER



### SCREENLIFTER

Dimensions (Screen + Screenlifter)		1926 x 1564 x 745mm
Max. height lower edge of active area	(Landscape)	approx. 1400mm
	(Portrait)	approx. 1000mm
Max. height of system	(Landscape)	approx. 2460mm
	(Portrait)	approx. 2854mm
Rotation angle of screen		clockwise up to 90°
Weight (Screenlifter only)		approx. 180 kg
Standard Color		anodized aluminium, matt scratch resistant finish in colour ral9011
Options		wired remote control